

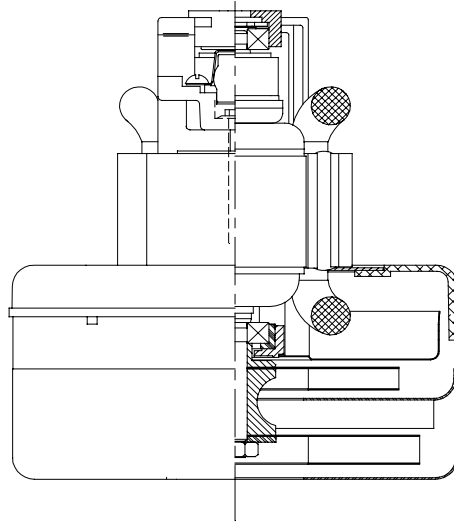


DESCRIPTION

- Two stage
- 220 volts
- 5.7"/145 mm diameter
- Double ball bearings
- Single speed
- Thru-flow discharge
- Aluminum fan end bracket
- Aluminum commutator bracket

DESIGN APPLICATION

- Equipment operating in environments not requiring separation of working air from motor ventilating air
- Designed to handle clean, dry, filtered air only.



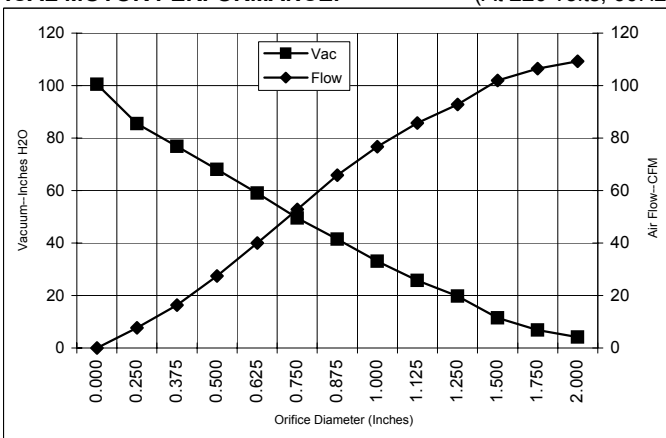
SPECIAL FEATURES

- Suitable for 220 volt AC operation, 50/60 Hz
- UL Recognized, category PGRY2 (E47185)
- Skeleton-frame design
- Provision for grounding
- The Lamb Electric vacuum motor line offers a wide range of performance levels to meet design needs

TYPICAL MOTOR PERFORMANCE.*

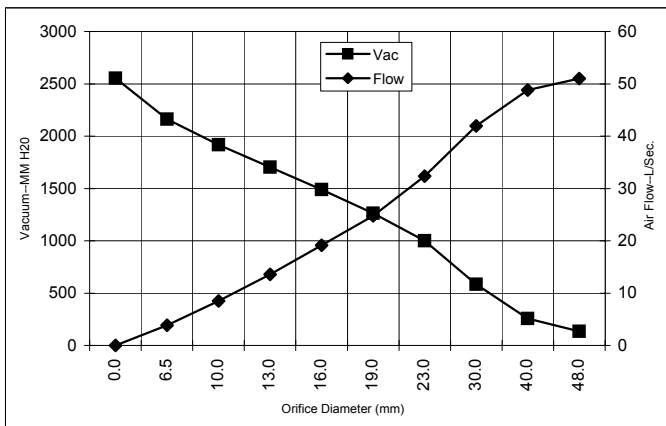
(At 220 volts, 60Hz, test data is corrected to standard conditions of 29.92 Hg, 68° F.)

ASTM DATA



Orifice (Inches)	Amps	Watts (In)	RPM	Vac (In.H ₂ O)	Flow (CFM)	Air Watts
2.000	5.3	1089	19809	4.2	109.3	54
1.750	5.3	1089	19745	6.8	106.5	85
1.500	5.3	1089	19681	11.5	102.0	138
1.250	5.3	1089	19618	19.8	92.8	216
1.125	5.3	1082	19645	25.7	85.7	259
1.000	5.2	1067	19749	33.0	76.7	297
0.875	5.1	1037	19930	41.5	65.8	321
0.750	4.9	959	20375	49.5	52.8	307
0.625	4.6	964	21213	59.0	40.0	277
0.500	4.2	899	22243	68.0	27.5	220
0.375	3.9	831	23482	76.8	16.4	148
0.250	3.6	766	24728	85.5	7.7	78
0.000	3.3	720	26100	100.5	0.0	0

METRIC DATA



Orifice (mm)	Amps	Watts (In)	RPM	Vac (mm H ₂ O)	Flow (L/Sec)	Air Watts
48.0	5.3	1089	19781	136	51.0	68
40.0	5.3	1089	19700	256	48.8	122
30.0	5.3	1085	19633	585	42.0	240
23.0	5.1	1045	19885	1000	32.3	315
19.0	4.9	959	20392	1262	24.8	306
16.0	4.6	964	21179	1489	19.1	278
13.0	4.2	906	22140	1704	13.6	226
10.0	3.9	841	23296	1917	8.5	159
6.5	3.6	769	24666	2161	3.8	82
0.0	3.3	720	26100	2553	0.0	0

Note: Metric performance data is calculated from the ASTM data above.

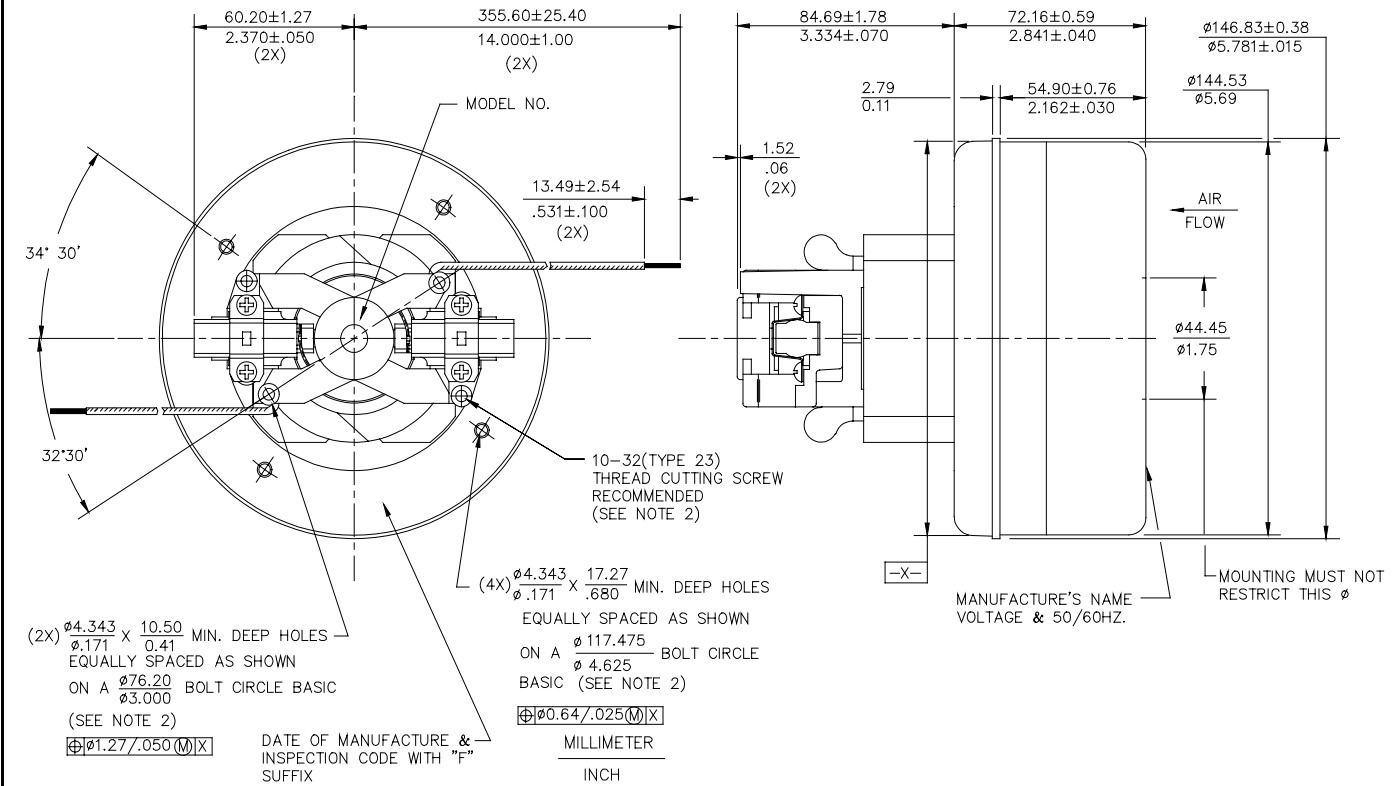
* Data represents performance of a typical motor sampled from a large production quantity. Individual motor data may vary due to normal manufacturing variations.

Test Specs:	220 volts	Minimum Sealed Vacuum:	92.0"	ORIFICE:	13mm	Minimum Vacuum:	68.0"	Maximum Watts:	970
--------------------	-----------	-------------------------------	-------	-----------------	------	------------------------	-------	-----------------------	-----

DIMENSIONS

NOTES:

- LEADS: 18GA. STRANDED; LEADS CAN BE ANY COLOR EXCEPT GREEN OR GREEN WITH YELLOW STRIPE.
- GROUNDING OR EARTHING PROVISIONS: USE HOLES AS INDICATED FOR GROUNDING OR EARTHING. REFER TO APPROPRIATE LISTING OR REGULATORY AGENCY FOR PROPER METHOD OF GROUNDING OR EARTHING.



IMPORTANT NOTE: Pictorial and dimensional data are subject to change without notice. Contact factory for current revision levels.

WARNING - AMETEK Lamb Electric thru-flow vacuum motors must never be used in applications in which wet or moist conditions are involved, where dry chemicals or other volatile materials are present, or where airflow may be restricted or blocked. Such motors are designed to permit the vacuumed air to pass over the electrical winding to cool it. Thus any foam, liquid (including water), dry chemical, or other foreign substance coming in contact with electrical conductors could cause combustion (depending on volatility) or electrical shock. Failure to observe these precautions could result in property damage and severe personal injury, including death in extreme cases. All applications incorporating Lamb Electric motors should be submitted to Underwriters Laboratories Inc. or other appropriate organizations or agencies for testing specifically related to the safety of your equipment.

AMETEK/Lamb Electric Division
 627 Lake Street
 Kent, Ohio 44240
 U.S.A.
 Tel: (330) 673-3451
 Fax: (330) 673-8994

Ametek GmbH
 P. O. Box 1251
 D-71667 Marbach
 Germany
 Phone: + 49-714-484-9512
 Fax: + 49-714-484-9513

AMETEK/Singapore Private Limited
 10 Ang Mo Kio Street 65
 # 05-12 Techpoint
 Singapore 2056
 Tel: + 65-484-2388
 Fax: + 65-481-6588

Issued: January 2002