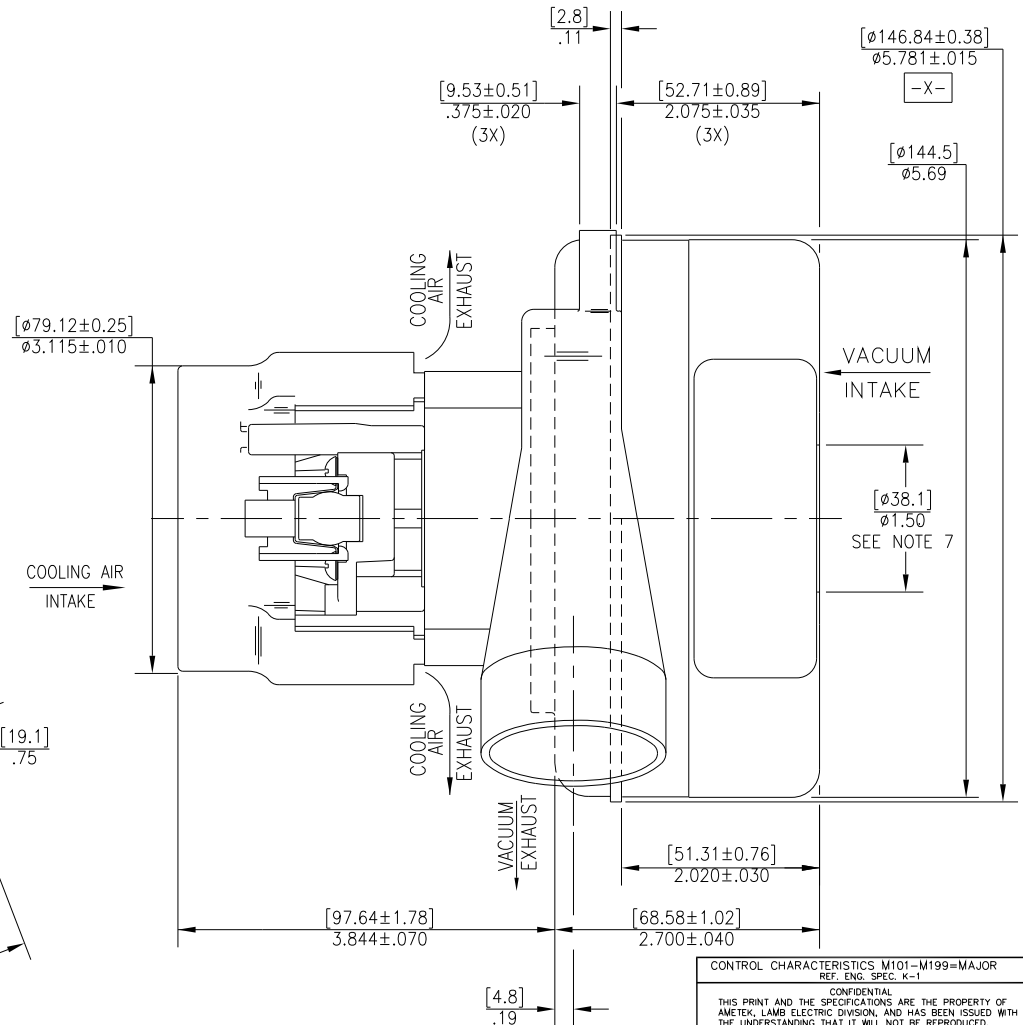
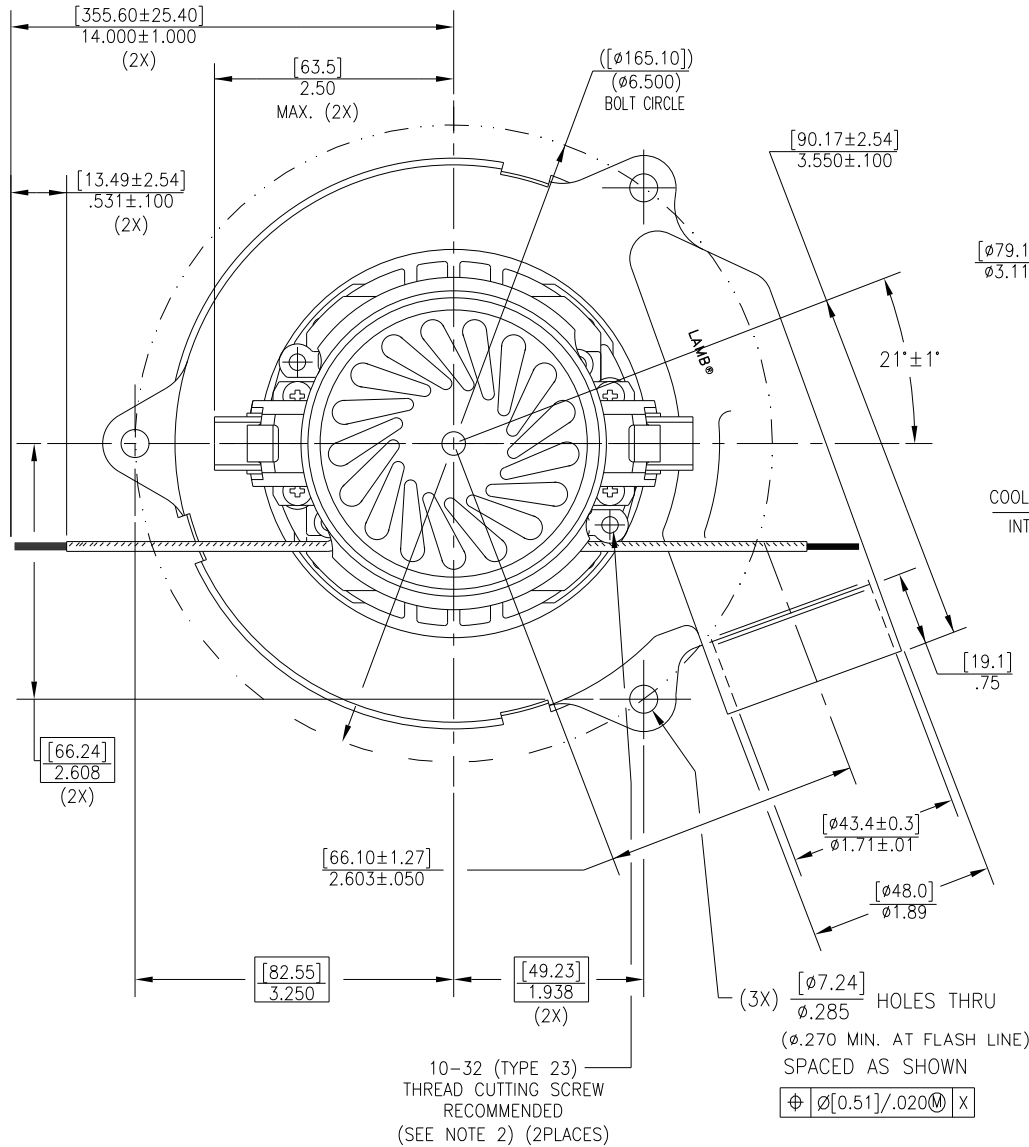


NOTES:

- LEADS: 14GA STRANDED, LEADS CAN BE ANY COLOR EXCEPT GREEN OR GREEN WITH YELLOW STRIPE.
- GROUNDING OR EARTHING PROVISIONS: USE HOLES AS INDICATED FOR GROUNDING OR EARTHING.
REFER TO APPROPRIATE LISTING OR REGULATORY AGENCY FOR PROPER METHOD OF GROUNDING OR EARTHING.
- MOTOR IDENTIFICATION: MANUFACTURER'S NAME, MODEL NUMBER, VOLTAGE, FREQUENCY, INSPECTOR'S CODE, DATE OF MANUFACTURE, AGENCY RECOGNITION CODE, PLANT LOCATION CODE, PATENT INFORMATION "ONE OR MORE OF THE FOLLOWING PATENTS APPLY TO THIS MOTOR: 5482378; 5736805; 4669952; 4684835; PATENT PENDING". AND COUNTRY OF ORIGIN.
- ALLOW [0.0016 SQ M]/2.5 SQ IN. MIN. FOR COOLING AIR INTAKE.
- COOLING AIR INTAKE MUST BE SEPARATED FROM COOLING AIR EXHAUST.
- VACUUM EXHAUST MUST BE SEPARATED FROM COOLING AIR EXHAUST.
- MOUNTING MUST NOT RESTRICT THIS DIAMETER.

REVISIONS			
REV	ECN NO.	DESCRIPTION	DATE
C	16674	REDRAWN ON CAD: REM. HOUSING CLIPS	2-14-87
D	21238	UPDATED DRAWING & HOUSING STYLE -MF	10-14-92
E	29970	ADDED NOTES 3, 4, 5, 6; [63.5]/2.50 WAS 60.20+1.27/2.37+0.50	09-28-01
F	30641	UPDATE CLAMP PICTORIAL, UPDATE TITLE BLOCK	5-14-02



CONTROL CHARACTERISTICS M101-M199=MAJOR REF. ENG. SPEC. K-1			
CONFIDENTIAL THIS PRINT AND THE SPECIFICATIONS ARE THE PROPERTY OF AMETEK, LAMB ELECTRIC DIVISION, AND HAS BEEN ISSUED WITH THE UNDERSTANDING THAT IT WILL NOT BE REPRODUCED, REVEALED TO OR USED FOR THE MANUFACTURE FOR OTHERS AND WILL BE RETURNED UPON REQUEST.			
DIMENSIONING AND TOLERANCING IN ACCORDANCE WITH ASME Y14.5M-1994			
DO NOT SCALE DRAWING			
TOLERANCES UNLESS OTHERWISE SPECIFIED		FINISH SPEC.	
[MILLIMETER]	[.XX .XXX]	[.005]	[.010]
[INCH]	[.005 .010]	[.005]	[.010]
[MM]/IN	BREAK SHARP EDGES [0.13-0.51]/.005-.020	[.005]	[.010]
SCALE CODE 75511			
CAD FILE NAME	NEXT ASSY.	WT.	
DRWN BY: B. CICCARELLI	DATE: 2-14-87	ENG. APPR: R. SUMSER	DATE: 2-9-88
TITLE: OUTLINE, 24V. 1.125 STK.		SIZE: C	SHEET OF: C
AMETEK LAMB ELECTRIC DIVISION KENT, OHIO 44240		E-NO. REF. 116155-00-0	DWG. NO. 116157-00-0

D1
K3
R3
CZ

