

LAMB ELECTRIC

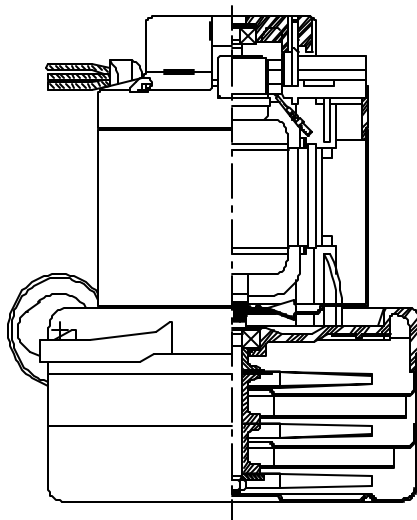
Model: 117741-00
117741-13*
117741-37*

DESCRIPTION

- Three stages
- 230 volts
- 7.2"/183 mm diameter
- Double ball bearings
- Single speed
- Tangential bypass discharge
- Thermoset fan end bracket
- Thermoset commutator bracket

DESIGN APPLICATION

- Equipment operating in environments requiring separation of working air from ventilating air
- Designed to handle clean, dry, filtered air only



SPECIAL FEATURES

- Suitable for 230 volt AC operation, 50/60 Hz
- UL recognized, category PRGY2
- Provision for grounding
- 10 mm shaft and bearing system
- The Lamb Electric vacuum motor line offers a wide range of performance levels to meet design needs

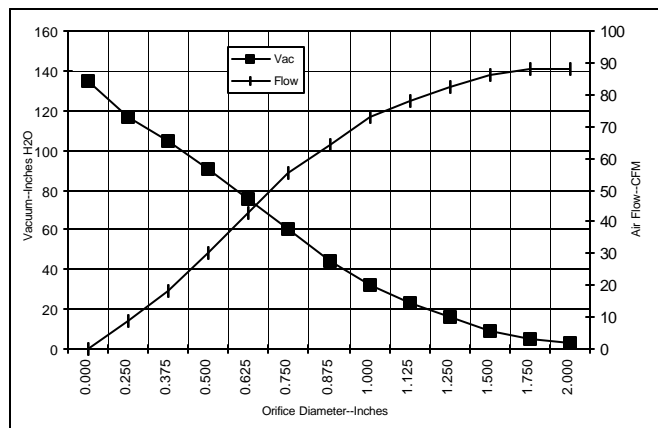
* Models 117741-13 and 117741-37 have epoxy painted fan case and patented air seal bearing construction, U.S. Patent #1,417,200

* Model 117741-37 additionally has anodized fans

TYPICAL MOTOR PERFORMANCE.*

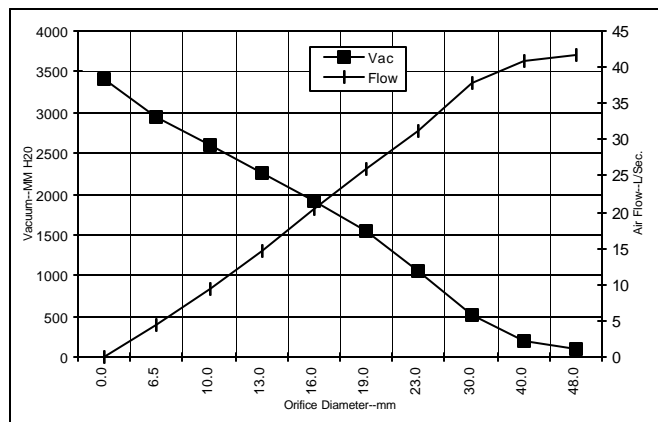
(At 230 volts, 60Hz, test data is corrected to standard conditions of 29.92 Hg, 68° F.)

ASTM DATA



Orifice (Inches)	Amps	Watts (In)	RPM	Vac (In.H ₂ O)	Flow (CFM)	Air Watts
2.000	6.1	1297	16860	2.8	88.3	29
1.750	6.1	1296	16863	4.9	88.3	50
1.500	6.1	1297	16850	8.7	85.9	89
1.250	6.1	1296	16823	16.6	82.1	160
1.125	6.1	1299	16776	23.0	78.0	211
1.000	6.1	1307	16766	32.4	72.7	277
0.875	6.1	1305	16773	44.3	64.0	337
0.750	6.0	1287	16930	60.3	55.3	392
0.625	5.8	1240	17286	75.8	42.9	382
0.500	5.4	1157	17983	90.3	29.9	317
0.375	4.9	1033	18946	104.6	18.1	22
0.250	4.3	948	20210	116.9	8.8	121
0.000	3.8	845	21533	134.5	0.0	0

METRIC DATA



Orifice (mm)	Amps	Watts (In)	RPM	Vac (mm H ₂ O)	Flow (L/Sec)	Air Watts
48.0	6.1	1297	16861	95	41.7	38
40.0	6.1	1297	16854	192	40.9	77
30.0	6.1	1298	16797	511	37.7	188
23.0	6.1	1306	16771	1050	31.2	322
19.0	6.0	1286	16937	1539	26.0	392
16.0	5.8	1242	17272	1910	20.5	382
13.0	5.4	1165	17913	2257	14.7	324
10.0	5.0	1052	18802	2602	9.4	66
6.5	4.3	952	20147	2954	4.4	116
0.0	3.8	845	21533	3416	0.0	0

Note: Metric performance data is calculated from the ASTM data above.

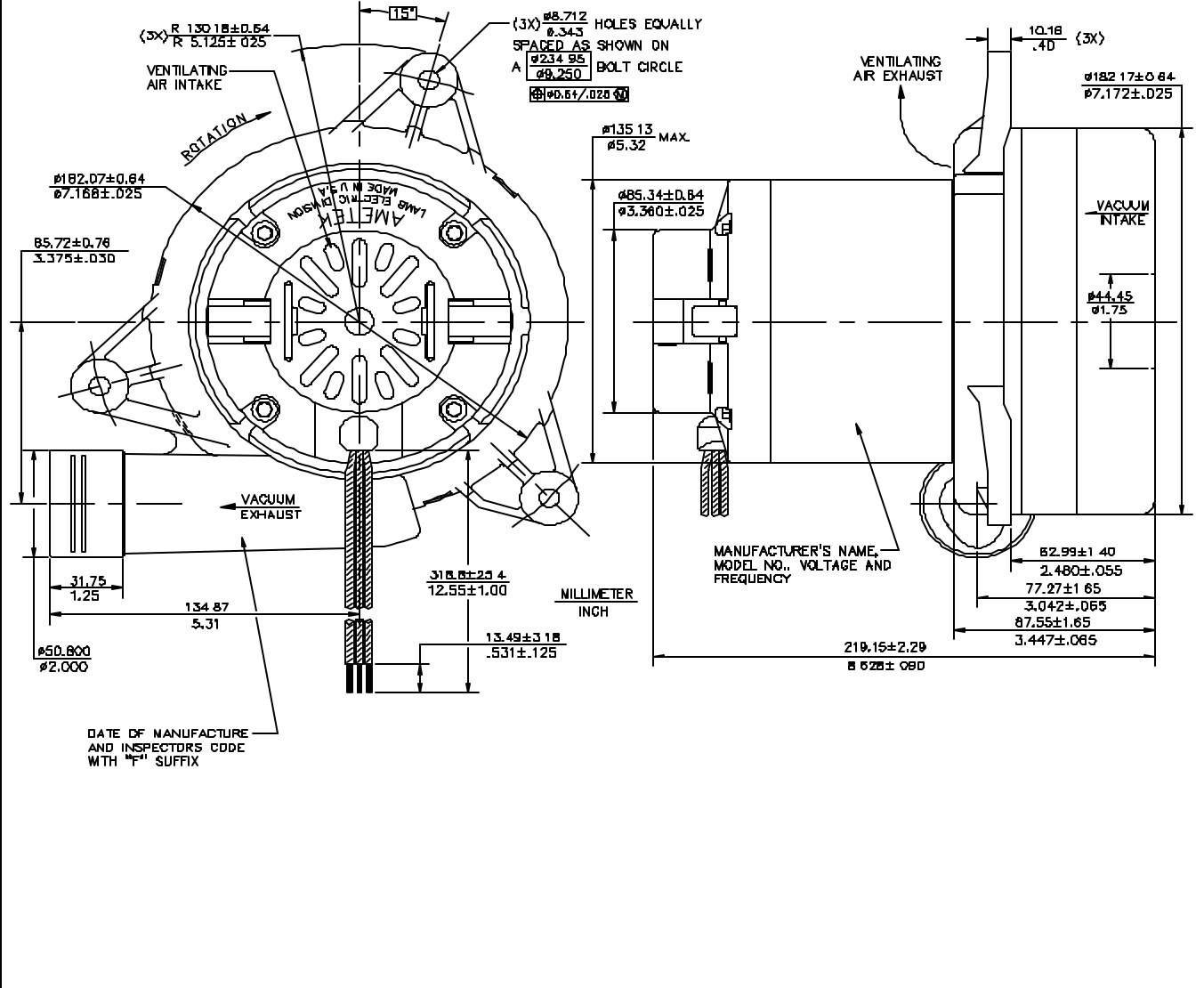
* Data represents performance of a typical motor sampled from a large production quantity. Individual motor data may vary due to normal manufacturing variability.

Test Specs:	230 volts	Minimum Sealed Vacuum:	127.0"	ORIFICE:	7/8"	Minimum Vacuum:	40.0"	Maximum Watts:	1450
-------------	-----------	------------------------	--------	----------	------	-----------------	-------	----------------	------

DIMENSIONS

NOTES:

1. LEADS: 18GA. STRANDED, ONE BLACK AND ONE WHITE, GROUND LEAD: 18GA. STRANDED, COLOR GREEN WITH YELLOW STRIPE.



IMPORTANT NOTE: Pictorial and dimensional data are subject to change without notice. Contact factory for current revision levels.

WARNING - When using AMETEK Lamb Electric bypass motors in machines that come in contact with foam, liquid (including water), or other foreign substances, the machine must be designed and constructed to prevent those substances from reaching the fan system, motor housing, and electrical components. Lamb Electric vacuum motors other than hazardous duty models should not be applied in machines that come in contact with dry chemicals or other volatile materials. Failure to observe these precautions could cause flashing (depending on volatility) or electrical shock which could result in property damage and severe bodily injury, including death in extreme cases. All applications incorporating Lamb Electric motors should be submitted to appropriate organizations or agencies for testing specifically related to the safety of your equipment.

AMETEK/Lamb Electric Division
627 Lake Street
Kent, Ohio 44240
U.S.A.
Tel: (330) 673-3451
Fax: (330) 673-8994

Ametek GmbH
Weilimdorfer Str. 47
D-70825 Korntal-Munchingen
Germany
Phone: + 49-711-838-7876
Fax: + 49-711-838-7862

AMETEK/Singapore Private Limited
10 Ang Mo Kio Street 65
05-12 Techpoint
Singapore 2056
Tel: + 65-484-2388
Fax: + 65-481-6588