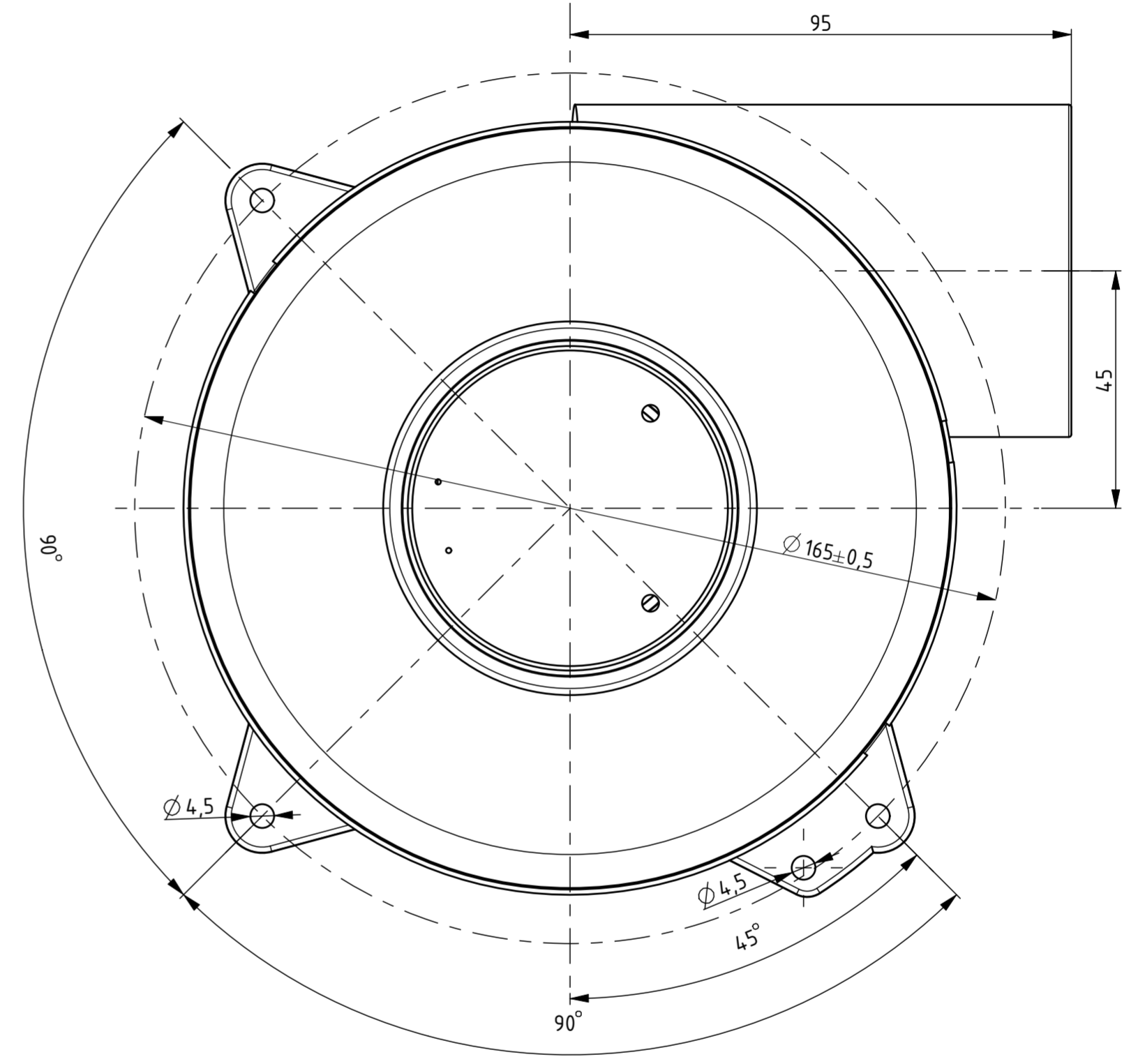
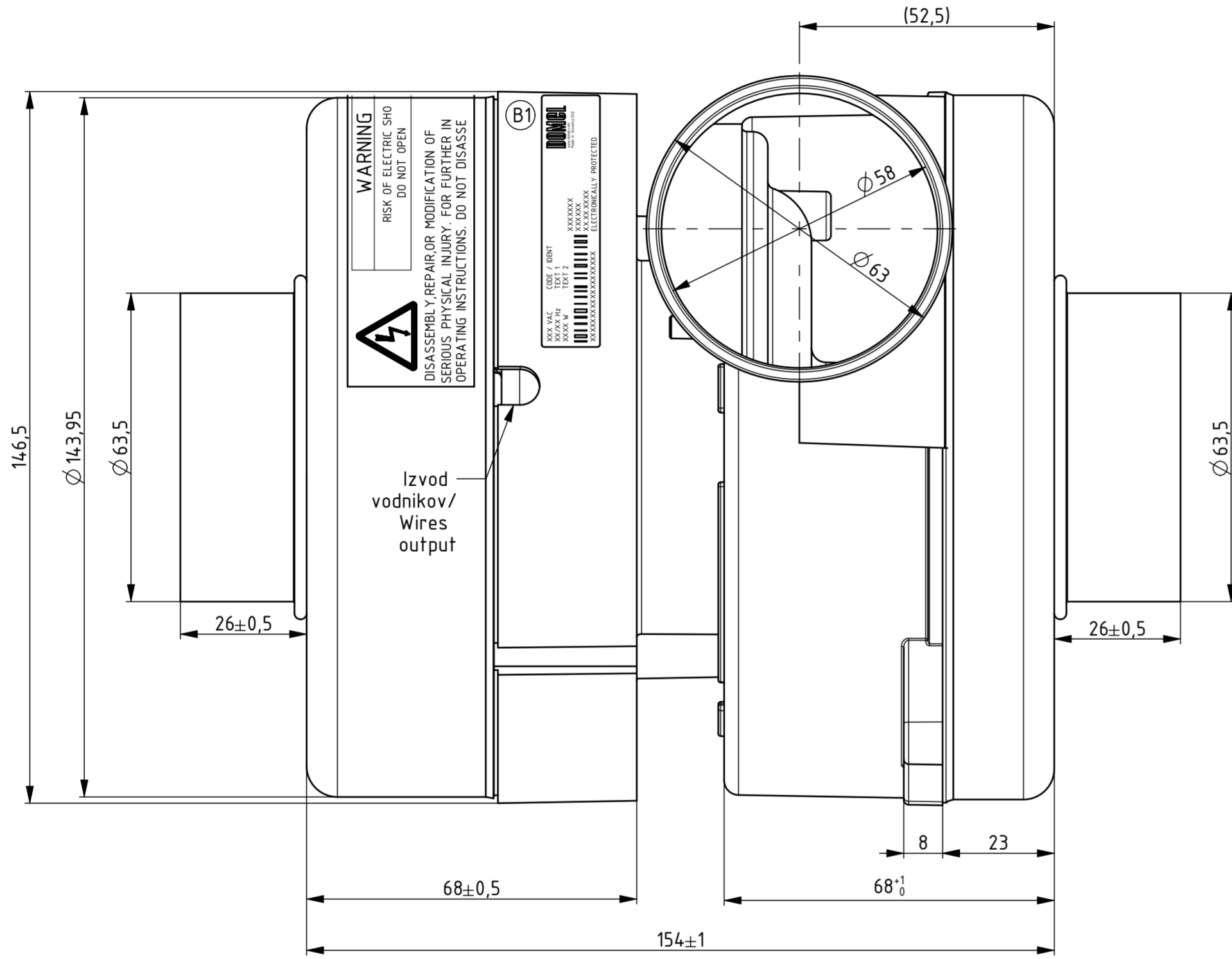
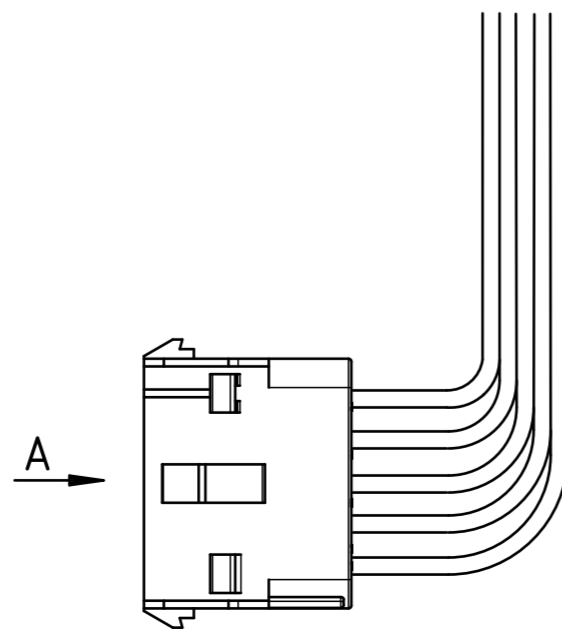


| | |
|------------------------------|----------|
| NAPETOST VOLTAGE | 230 V |
| FREKVENCA FREQUENCY | 50/60 Hz |
| NAZIVNA MOČ NOMINAL POWER | 1200 W |



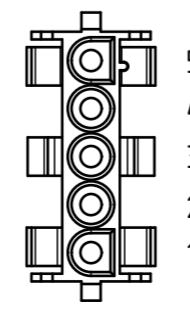
Izdelano s CAD/ProEngineer - ročno spreminjanje ni dovoljeno! Vsa prenosna sredstva tretjih oseb nam ne dovoljuje uporaba v nedogovorjene namene ni dovoljena po zakonu o avtorskih pravicah. Made with CAD/ProEngineer - changing is not allowed! Any unauthorized copying of this drawing or unauthorized distribution of the information contained herein is prohibited.

| OSNOVNE ZNAČILNOSTI | | TYPICAL CHARACTERISTICS | |
|---------------------|----------------------|-------------------------|--------------|
| IZVEDBA | ENOSTOPENJSKA | FAN SYSTEM | SINGLE STAGE |
| VLEŽAJENJE | DVA KROGLIČNA LEŽAJA | BEARINGS | DUAL BALL |
| VRSTA PRETOKA | MIMO MOTORJA | DISCHARGE | BY-PASS |
| SMER VRTENJA | LEVA | DIRECTION OF ROTATION | CCW |



DOLŽINA VODNIKOV VKLJUČNO S KONEKTORJEM / WIRES OUTPUT INCLUDING CONNECTOR: 220±20mm

View A



| CONNECTOR AMP 350810-1 | | | |
|------------------------|-------|-------------------|---------------------------------|
| PIN | COLOR | | |
| 5 | black | AC INPUT 230V±10% | |
| 4 | black | AC INPUT 230V±10% | |
| 3 | ye-gr | EARTH | |
| 2 | red | High | Isolated speed Control 0-10V DC |
| 1 | blue | Low | |

| | | | | | | | |
|---|--------|---|-----------|-------------------------------------|-----|----------------------------------|--|
| Tolerance odprtih mer Tolerances without individual indications ISO 8015 ISO 2768 - mK | | Površinska hrapavost Surface finishing | | Merilo Scale | 1:2 | Original format ISO 5457 - A2 | |
| Datum/Date | | Ime/Name | | Naziv Title | | | |
| Izdelal Designed | | 03.06.08 | | Koblar U. | | PUHALO BLOWER | |
| Prej. Verified | | 18.09.20 | | Kavčič M. | | | |
| Ozn. Mark | | Sf. obvestila Nr. of notice | | Datum Date | | Ime Name | |
| B1 | 14.911 | 18.09.20 | Koblar U. | | | Koda Code | |
| A0 | 8622 | 06.06.08 | Koblar U. | | | 497.3.275-521 | |
| | | | | Otoki 21, 4228 Železniki, Slovenija | | Stran Page | |
| | | | | | | 3+ | |
| | | | | | | 1 | |
| | | | | | | 4973275521_SESALNA_ENOTA | |